
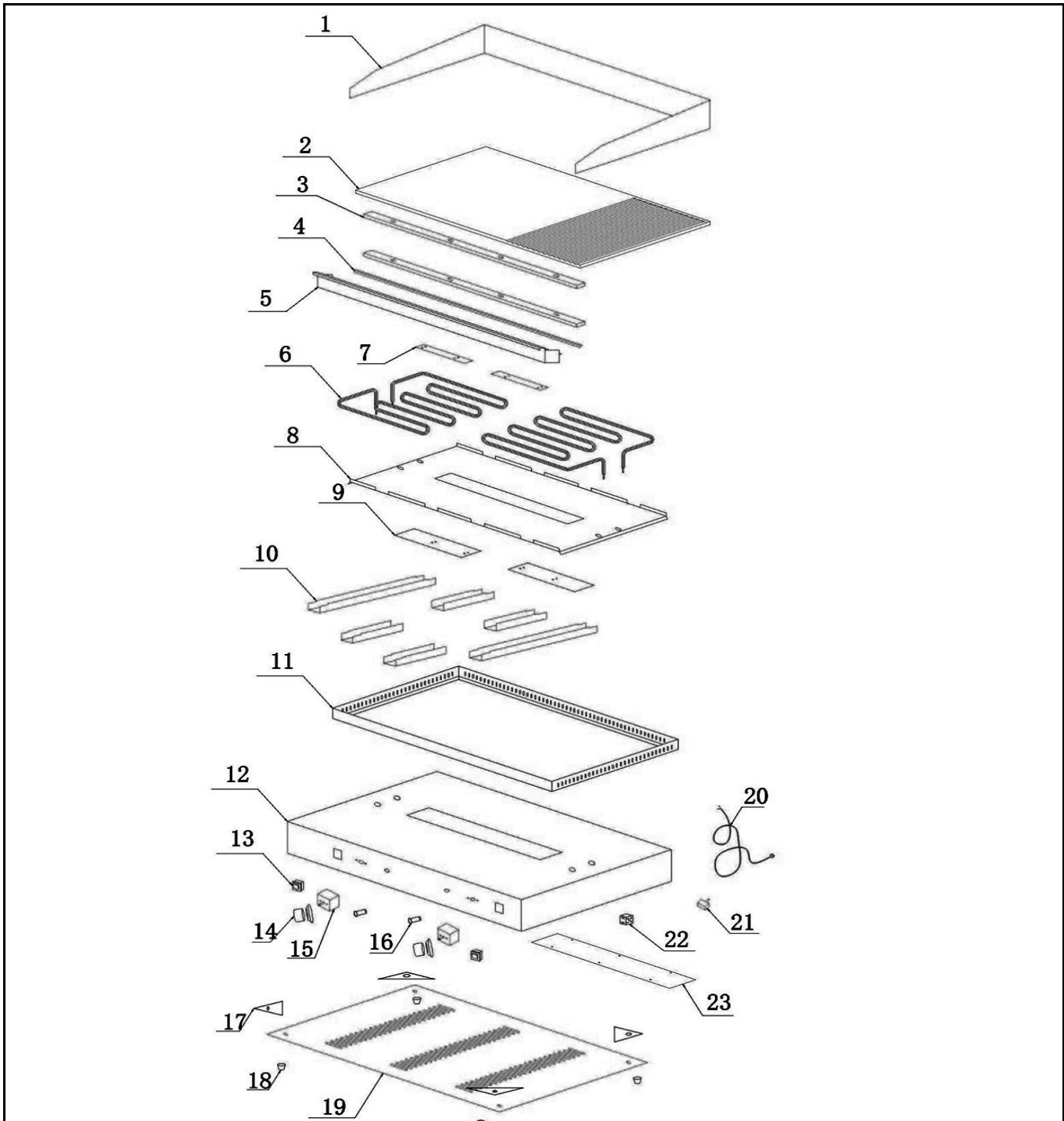



Drawing

 Hendi B.V. Steenoven 21 3911 TX Rhenen The Netherlands	Batch #	Appliance part#
	202105 and up	203163
	Description	
	Griddle 2/3 flat, 1/3 ribbed	

Date	29-01-2013	Revision #	Revision version
Revision	First bill of materials (BOM)		



Bill of materials (BOM)

 Hendi B.V. Steenoven 21 3911 TX Rhenen The Netherlands	Batch #	Appliance part#
	202105 and up	203163
	Description	
	Griddle 2/3 flat, 1/3 ribbed	


Date	29-01-2013	Revision #	Revision version
Revision	First bill of materials (BOM)		

Item	Description	Part#	Quantity	Remark	Picture
1	Side cover	n/a	1		
2	Grill plate (2/3 flat, 1/3 ribbed)	n/a	1		
3	Bracket	n/a	2		
4	Bracket	n/a	1		
5	Drip tray	929674	1		
6	Element	929919	2		
7	Probe holder	n/a	2		
8	Cover element	n/a	1		
9	Cover	n/a	2		
10	Bracket	n/a	6		
11	Upper housing	n/a	1		
12	Lower housing	n/a	1		
13	Switch	929872	2		
14	Knob	929865	2		
15	Thermostat	902011	2		
16	Indicator light	929889	2		
17	Mounting plate	n/a	4		
18	Feet	929896	4		
19	Bottom cover	n/a	1		
20	Power cord	930045	2		
21	Hi-limiter	929858	2		
22	Terminal	922545	2		
23	Cover	n/a	1		
*	Cordinlet with retainer	912201	2		

n/a -> not available

nss -> not sold separately

Circuit diagram

 HENDI FOOD SERVICE EQUIPMENT Hendi B.V. Steenoven 21 3911 TX Rhenen The Netherlands	Batch #	Appliance part#
	202105 and up	203163
	Description	
	Griddle 2/3 flat, 1/3 ribbed	

Date	29-01-2013	Revision #	Revision version
Revision	First bill of materials (BOM)		

